



# JUPITER WELLS

For Good Measure

A two-step guide to getting your  
window measurements right.

**orders**

shop [jupiterwells.com](http://jupiterwells.com)  
or call 877.451.2104  
M-F: 6am - 6pm PST  
S-S: 8am - 4:30pm PST

**questions?**

send us an email at  
[service@jupiterwells.com](mailto:service@jupiterwells.com)  
or call 877.451.2104  
M-F: 6am - 5pm PST

**perks**

free samples  
free shipping  
satisfaction guaranteed

# JUPITER WELLS

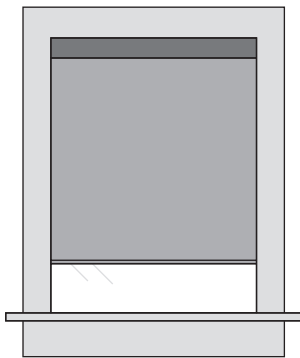


## A Few Pointers

- Always use a steel measuring tape for accuracy.
- Round each measurement to the nearest 1/8".
- Measure all windows, even those that appear to be the same width and height.

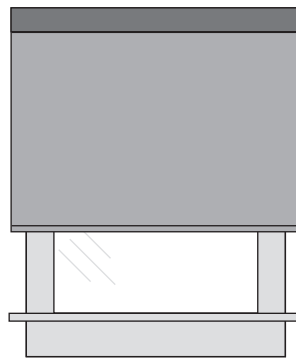
## 1

## Select Your Type of Mount



### Inside Mount

Inside mounts provide a clean, tailored look, especially on windows with attractive molding. Note: an inside mount is not recommended if your window is not square. To determine squareness, simply measure your window on both diagonals. The measurements should be within 1/2". If they are not, consider an outside mount to avoid exposing the irregularity.



### Outside Mount

Outside mounts can hide unattractive moldings, make a small window appear larger, increase privacy or diminish light seepage. This type of mount requires at least 2" of flat space above the window casing for proper installation of the brackets (see Stacking Height on the last page) and approximately 1 1/2" of overlap on each side (3" total).

## 2a

## Measure Your Window - Inside Mount

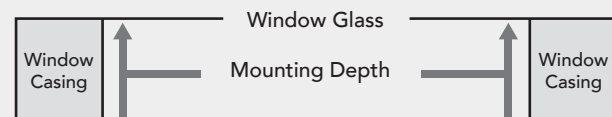
### Check Your Mounting Depth

To properly mount your window treatment inside your window casing, your window must be deep enough to accommodate the mounting brackets. If the depth of your window casing is not equal to or greater than the minimum mounting depth, you will need to mount your product outside the window frame (see 2b). Window cranks, handles and other obstructions will reduce your usable window depth so be sure to factor these into your measurement.

You'll also need to check the minimum flush mounting depth of the product. A portion of your window treatment may protrude from the window frame (see Minimum Mounting Depth diagram) even if you meet the minimum mounting depth requirements. Flush mount is the depth required to mount a window treatment so that it is fully recessed inside the window casing and no portion of the window treatment protrudes from the window frame (see Flush Mount diagram).

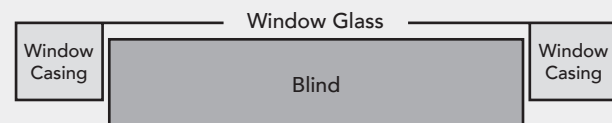
Minimum mounting depths and flush mount depths vary based on product type, manufacturer and option configurations. These values are listed on our website for each product as applicable.

**Window Depth** Measure from the edge of the window casing in to the first obstruction



### Minimum Mounting Depth

Blind protrudes from the window frame



### Flush Mount

Blind is fully recessed into the window frame

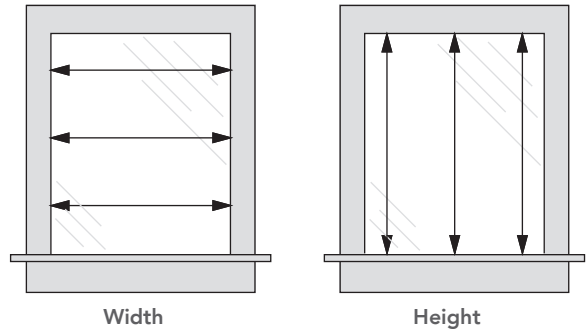


# JUPITER WELLS

## Measure Your Window In the Right Place

For inside mount window treatments, measure the width and height of your window casing at the positions indicated in the table below.

**Please note:** Do not take any deductions from your measurements for clearance. The factory will take necessary deductions, specific to each manufacturer, for the proper operation of your window treatment.

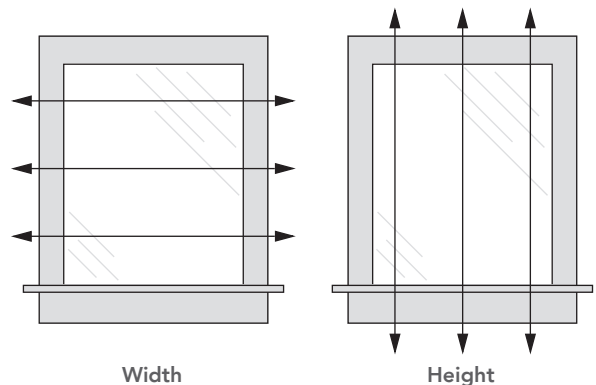


		Cellular Shades	Faux Wood Blinds	Roller/Solar Shades	Roman Shades	Sheer Shadings	Wood Blinds	Natural Wovens
Width	Where to Measure	Top, Center, Bottom	Top, Center, Bottom	Top	Top, Center, Bottom	Top, Center, Bottom	Top, Center, Bottom	Top, Center, Bottom
	Measurement to Use	Narrowest	Narrowest	Top	Narrowest	Narrowest	Narrowest	Narrowest
Height	Where to Measure	Left, Center, Right	Left, Center, Right	Left, Center, Right	Left, Center, Right	Left, Center, Right	Left, Center, Right	Left, Center, Right
	Measurement to Use	Longest	Longest	Longest	Longest	Longest	Longest	Longest

## 2b Measure Your Window - Outside Mount

Measure the exact width to be covered, making sure the measurement overlaps the window opening by the amounts listed in the table below to ensure light control and privacy. Then measure the exact height to be covered including the overlap listed in the table below to allow enough space on the wall or molding to affix the brackets. You can add to this overlap to make a small window appear larger, hide unattractive window molding, or to have the window treatment stack off of the window (see Stacking Height on the following page) when completely raised.

**Please note:** The factory will not take any deductions for an outside mount. The window treatment will be made to the exact measurements specified. For roller or solar shades, please be aware that the specified width is the "tip-to-tip" size of the operating mechanism on the shade. Therefore, the fabric will always be 1" less than the specified width. For example, with a 4" total overlap (per chart below), the fabric will only overlap 3" (1 1/2" on each side).

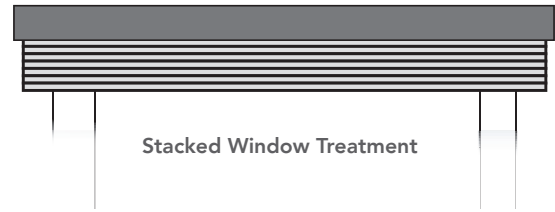


		Cellular Shades	Faux Wood Blinds	Roller/Solar Shades	Roman Shades	Sheer Shadings	Wood Blinds	Natural Wovens
Window Casing/ Moulding Overlap Width:	Total Overlap	3"	3"	4"	3"	3"	3"	3"
	Each Side	1 1/2" each side	1 1/2" each side	2" each side	1 1/2" each side	1 1/2" each side	1 1/2" each side	1 1/2" each side
Window Casing/ Moulding Overlap Height:	Above Top	2" above top	2" above top	2" above top	2" above top	2" above top	2" above top	2" above top
	Below Bottom	1 1/2" bottom	1 1/2" bottom	1 1/2" bottom	1 1/2" bottom	1 1/2" bottom	1 1/2" bottom	1 1/2" bottom

# JUPITER WELLS

## Consider Your Stacking Height

To preserve your view, you may choose to have your window treatment stack completely off the window when it's fully raised. To achieve this, you will need to add to the height measurement. Please refer to the table below for product stacking heights.



	3/8" Single Cell Cellular Shades	3/8" Single Cell Cellular Shades - Room Darkening	3/8" Double Cell Cellular Shades	3/8" Double Cell Cellular Shades - Room Darkening	Roller & Solar Shades	Roman Shades	Sheer Shadings	2" Faux Wood Blinds	2 1/2" Faux Wood Blinds	1 3/8" Wood Blinds	2" Wood Blinds	2 3/8" Wood Blinds	Natural Woven Shades
24"	2"	2"	2 3/4"	3 1/4"	3"	8"	3"	5 1/2"	5 1/2"	5 3/8"	4 1/2"	4 1/2"	12"
36"	2 1/4"	2 1/2"	3"	3 3/4"	3"	9 1/2"	3"	6 1/2"	6 1/2"	6 7/8"	5 1/2"	5"	12"
48"	2 1/2"	2 3/4"	3 1/2"	4 1/8"	3"	10"	3"	7 3/4"	7"	8 1/4"	6 1/2"	5 5/8"	12"
60"	2 3/4"	3 1/4"	3 3/4"	4 3/8"	3"	11 1/2"	3"	8 3/4"	7 3/4"	9 7/8"	7 1/2"	6 3/8"	12"
84"	3 3/4"	4 1/4"	4 1/4"	5 1/4"	3"	12 1/2"	3"	11 1/4"	9 5/8"	12 3/4"	9 1/2"	7 7/8"	12"

## Special Measuring Situations

### Patio Doors

Measure the width of the area to be covered at the place where the headrail will be installed to the nearest 1/8". The blind should overlap the opening by at least 4" on each side to ensure privacy. Measure the length of the area to be covered and record to the nearest 1/8". The blind should extend at least 3" above the opening or window molding. For ceiling-to-floor installations for outside mounts on patio doors, deduct 1/2" for proper clearance. To ensure easy access through the door and allow adequate overlap, consider the stacking height (see above).

### French Doors

To assure against light seepage, measure the width of the glass pane and any additional space that is available without interfering with the door handles. Usually you can go at least 1" on either side past the glass pane. Ideally, add 2" on each side for an additional 4" total to the width. Measure the height of the window glass and add at least 2" at the top to allow room for mounting hardware and 2" below the bottom of the glass to ensure proper coverage. Thus, the total height will be the height of the window glass plus at least 4".

### Wide Windows (Multiple blinds on one headrail)

Measure the width of the window and divide it by the number of window treatments. If you require window treatments of different widths on one headrail, please call our sales department at 877-451-2104.

### Cut-Outs

A cut-out is a shade or blind with a small rectangular area removed from it to avoid obstructions like a tile backsplash or window air conditioner to ensure proper operation of your blind. Specific diagrams should be submitted for clarification or contact our sales department directly at 877-451-2104. Cut-outs are an additional charge.

### Window Cranks

It's important to remember window cranks when you are measuring. Cranks are often removed if they interfere with the window treatment and replaced with T-handles, a small wing nut-type crank from the local hardware store, for optimal window treatment performance.

# JUPITER WELLS

## For Good Measure Worksheet

(Print or copy additional pages when ordering more than 2 windows)

Window #:

**Type of Mount \***.....  \_\_\_\_\_ **Room:** \_\_\_\_\_

**Width** (measure from left to right).....  \_\_\_\_\_ **Product:** \_\_\_\_\_

**Overlap Right** (outside mount only)..... + \_\_\_\_\_ **Color:** \_\_\_\_\_

**Overlap Left** (outside mount only)..... + \_\_\_\_\_

**Total Width**.....  \_\_\_\_\_

**Height** (measure from top to bottom).....  \_\_\_\_\_

**Overlap Top** (outside mount only)..... + \_\_\_\_\_

**Overlap Bottom** (outside mount only)..... + \_\_\_\_\_

**Total Height**.....  \_\_\_\_\_

**Lift Cord:**  Left  Right

**Tilt Cord:**  Left  Right

(Sliding Panels) **Stack:**  Left  Split  Right

**Spacer Blocks:**  Yes  No

**Extension Brackets:**  Yes  No

**Hold Down Brackets:**  Yes  No

**Measurement Notes:**

Window #:

**Type of Mount \***.....  \_\_\_\_\_ **Room:** \_\_\_\_\_

**Width** (measure from left to right).....  \_\_\_\_\_ **Product:** \_\_\_\_\_

**Overlap Right** (outside mount only)..... + \_\_\_\_\_ **Color:** \_\_\_\_\_

**Overlap Left** (outside mount only)..... + \_\_\_\_\_

**Total Width**.....  \_\_\_\_\_

**Height** (measure from top to bottom).....  \_\_\_\_\_

**Overlap Top** (outside mount only)..... + \_\_\_\_\_

**Overlap Bottom** (outside mount only)..... + \_\_\_\_\_

**Total Height**.....  \_\_\_\_\_

**Lift Cord:**  Left  Right

**Tilt Cord:**  Left  Right

(Sliding Panels) **Stack:**  Left  Split  Right

**Spacer Blocks:**  Yes  No

**Extension Brackets:**  Yes  No

**Hold Down Brackets:**  Yes  No

**Measurement Notes:**

\* For inside mount window treatments, confirm that your window frame has enough depth to affix the brackets. See Step 2A on inside mounting depth requirements. Outside mount window treatments must have at least 2" of flat surface for the brackets. For stacking height information, see the last page on our "For Good Measure" guide.